

Synchronizer Unit



Model No. : SYN - 744

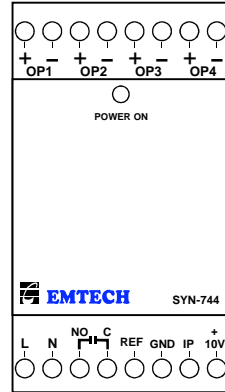
Input : 10K Pot (Master Pot)

Output : 4 Channel, 0 to 10 V Dc

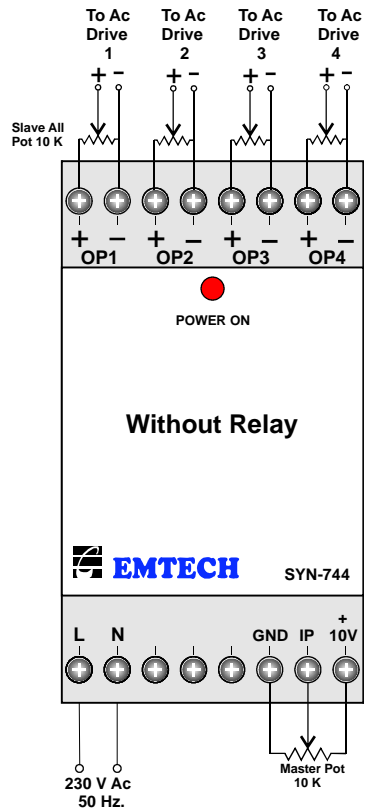
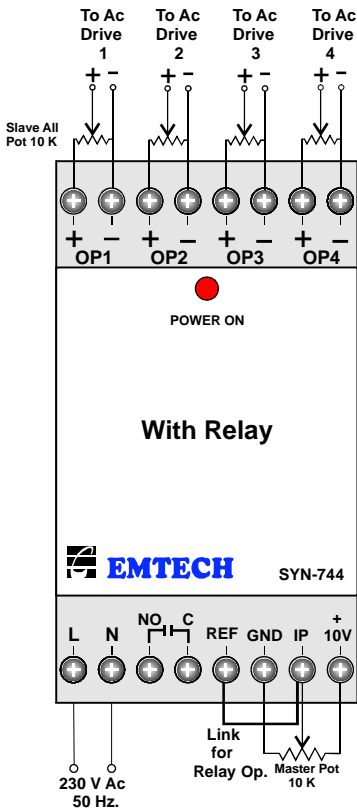
Relay : For zeroing facility

Supply : 230 V Ac, 50 Hz.

Size : 75 x 45 x 110 (mm)
Din Mounted



Connection Diagram



■ Please check wiring connection before power on.

Mfg. of Emtech Control, India.